

Features

- A range of RJ45 based surge protection products
- Compact, in-line installation
- High speed, high energy handling capability
- Low shunt capacitance to reduce signal loss.
- Adaptability to most industry applications



LANRJ45POE/C6

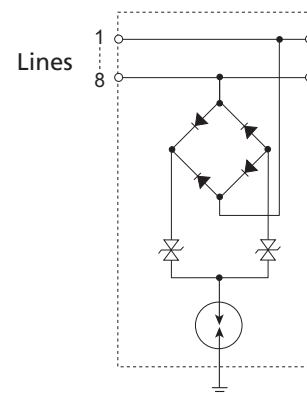


LANRJ45RAK (19" rack mount kit)



Modular 19" rack application

The Local Area Network Protector RJ45 series suits a range of applications from 10BaseT, 100BaseT, 1000BaseT to Power over Ethernet networks. The LANRJ45C6 is designed for up to 1000BaseT Category 6 Ethernet application for the protection of single circuits. It can be used individually, DIN Rail mounted or used with the LANRJ45RAK frame for 19" rack mount applications of up to 16 units per frame. The LANRJ45POE is designed for up to 100BaseT Category 5 Ethernet application for the protection of single circuits in addition to the application of Power over Ethernet making this product extremely versatile.



Model	LANRJ45POE	LANRJ45C6	LANRJ45RAK
Item Number for Europe	700529	700528	700531
Max Cont. Operating Voltage, U _c	66 VDC	5 VDC	
Frequency	100 Mbits	Cat 6	
Nominal Discharge Current, I _n	500 A 8/20 μs		
Connection	RJ45		
Mounting	Din Rail		19" rack mount
Approvals	CE, UL®		
Surge Rated to Meet	ANSI®/IEEE® C62.41.2 Cat A IEC 61643-21		

ANSI is a registered trademark of the American National Standards Institute. IEEE is a registered trademark of the Institute of Electrical and Electronics Engineers, Incorporated. UL is a registered trademark of Underwriters Laboratories, Inc.

WARNING

ERICO products shall be installed and used only as indicated in ERICO's product instruction sheets and training materials. Instruction sheets are available at www.erico.com and from your ERICO customer service representative. Improper installation, misuse, misapplication or other failure to completely follow ERICO's instructions and warnings may cause product malfunction, property damage, serious bodily injury and death.

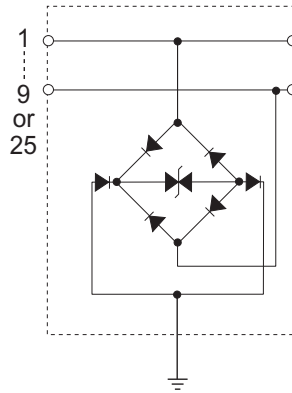
Copyright ©2009 ERICO International Corporation. All rights reserved.

CADDY, CADWELD, CRITEC, ERICO, ERIFLEX, ERITECH, and LENTON are registered trademarks of ERICO International Corporation.



Features

- Premium 1500 Watt (>100 Amps 8/20µs) capability – robust protection
- Models to cover RS-232, RS-423, RS-422 and RS-485 protocols
- Designed to provide both line to signal-ground and signal-ground to protective-earth protection
- DEP RS232/25/25 protects all wires – circuit wiring/pin configuration does not need to be known
- Plug-in protection – simple to install



The entire line of Data Equipment Protectors has been designed to protect serial I/O interface equipment from the damaging effects of induced surges and transients. The DEP protectors are packaged in male-to-female DB9 and DB25 cases for simple installation at the serial ports of terminal equipment. For RS232/423 circuits, DEP models will allow peak working voltage of up to 15 volts, with 9 or 25 pin protection. For RS422/ 485 circuits, the DEP RS422/9/9 allows up to 9 volts working, and is packaged in a DB9 case. A flying earth lead is provided for connection to protective earth.

Model	DEPRS2322525D	DEPRS23299D	DEPRS42299D
Max Cont. Operating Voltage, U_c	15 VDC	15 VDC	9 VDC
Nominal Discharge Current, I_n	100 A 8/20 µs		
Protection Modes	All pins to ground		
Connection	DB25 Male/Female	DB9 Male/Female	

WARNING

ERICO products shall be installed and used only as indicated in ERICO's product instruction sheets and training materials. Instruction sheets are available at www.erico.com and from your ERICO customer service representative. Improper installation, misuse, misapplication or other failure to completely follow ERICO's instructions and warnings may cause product malfunction, property damage, serious bodily injury and death.

Copyright ©2009 ERICO International Corporation. All rights reserved.

CADDY, CADWELD, CRITEC, ERICO, ERIFLEX, ERITECH, and LENTON are registered trademarks of ERICO International Corporation.

