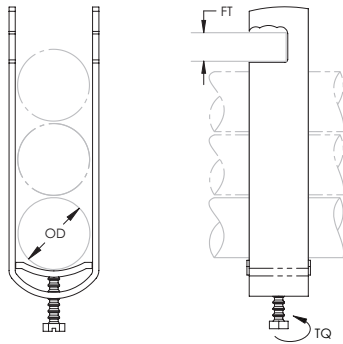


C-EU Multi-Cable to Flange Clamp



- Supports multiple runs of cable
- Attaches to beam flanges, angle iron, joists and other structural supports
- Use with C-HW Coaxial/HF Cable Protector



Material: Steel
Finish: Hot-Dip Galvanized

Part Number	Article Number	Outer Diameter OD	Flange Thickness FT	Torque TQ
Cable Capacity: 2				
C12EU2	337305	8 – 12 mm	12 mm Max	2 N-m
C16EU2	337315	12 – 16 mm	12 mm Max	2 N-m
C20EU2	337325	16 – 20 mm	12 mm Max	2 N-m
C32EU2	337355	28 – 32 mm	12 mm Max	2 N-m
C44EU2	337385	40 – 44 mm	12 mm Max	4 N-m
C52EU2	337415	48 – 52 mm	12 mm Max	4 N-m
Cable Capacity: 3				
C12EU3	337306	8 – 12 mm	12 mm Max	2 N-m
C16EU3	337316	12 – 16 mm	12 mm Max	2 N-m
C20EU3	337326	16 – 20 mm	12 mm Max	2 N-m
C32EU3	337356	28 – 32 mm	12 mm Max	2 N-m
C44EU3	337366	40 – 44 mm	12 mm Max	4 N-m
C52EU3	337416	48 – 52 mm	12 mm Max	4 N-m



WARNING

ERICO products shall be installed and used only as indicated in ERICO's product instruction sheets and training materials. Instruction sheets are available at www.erico.com and from your ERICO customer service representative. Improper installation, misuse, misapplication or other failure to completely follow ERICO's instructions and warnings may cause product malfunction, property damage, serious bodily injury and death.

Copyright © 2015 ERICO International Corporation. All rights reserved.

CADDY, CADWELD, CRITEC, ERICO, ERIFLEX, ERITECH, and LENTON are registered trademarks of ERICO International Corporation.

