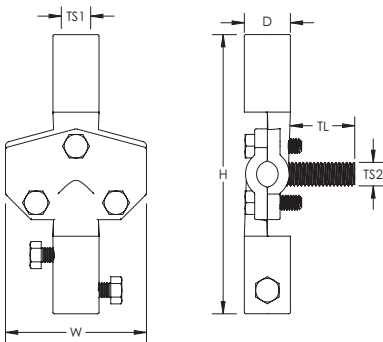


Industrial Stack Base with Stud, Horizontal/Vertical Cable Run



- Cast air terminal base for use with horizontal and/or vertical conductor runs
- Welded threaded stud for use with expansion anchors



Conductor Size, UL: Class 2 (4/0 Max)

Material: Bronze



Part Number	Thread Size 1 TS1	Thread Size 2 TS2	Thread Length TL	Depth D	Height H	Width W	Unit Weight
Finish: Bare							
LPC436LG	5/8 UNC	1/2 UNC	38 mm	25.4 mm	152.4 mm	76.2 mm	0.728 kg
LPC436SH	5/8 UNC	1/2 UNC	22 mm	25.4 mm	152.4 mm	76.2 mm	0.728 kg
Finish: Lead Covered							
LPLC436LG	5/8 UNC	1/2 UNC	38 mm	25.4 mm	152.4 mm	76.2 mm	1.900 kg
LPLC436SH	5/8 UNC	1/2 UNC	22 mm	25.4 mm	152.4 mm	76.2 mm	1.900 kg

Where applicable, lead covering thickness is a minimum of 1/16" (1.59 mm) and is not included in the stated dimensions.

UL, UR, cUL, cUR, cULus and cURus are registered certification marks of UL LLC.

WARNING

ERICO products shall be installed and used only as indicated in ERICO's product instruction sheets and training materials. Instruction sheets are available at www.erico.com and from your ERICO customer service representative. Improper installation, misuse, misapplication or other failure to completely follow ERICO's instructions and warnings may cause product malfunction, property damage, serious bodily injury and death.

Copyright © 2015 ERICO International Corporation. All rights reserved.

CADDY, CADWELD, CRITEC, ERICO, ERIFLEX, ERITECH, and LENTON are registered trademarks of ERICO International Corporation.

