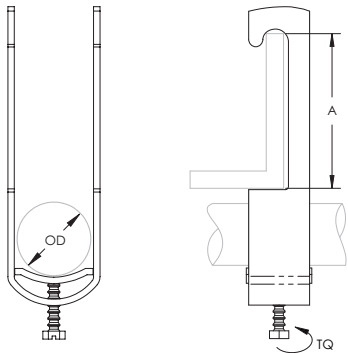


C-ES Cable to Vertical Flange Clamp



- Supports multiple runs of cable
- Attaches to beam flanges, angle iron, joists and other structural supports



Material: Steel

Finish: Hot-Dip Galvanized

Part Number	Article Number	Outer Diameter OD	A	Torque TQ
C12ES	337000	6 – 12 mm	40 mm	2 N-m
C16ES	337010	12 – 16 mm	40 mm	2 N-m
C20ES	337020	16 – 20 mm	40 mm	2 N-m
C36ES	337060	32 – 36 mm	40 mm	2 N-m
C40ES	337070	36 – 40 mm	40 mm	2 N-m
C44ES	337080	40 – 44 mm	40 mm	4 N-m
C48ES	337090	44 – 48 mm	40 mm	4 N-m
C52ES	337100	48 – 52 mm	40 mm	4 N-m
C56ES	337110	52 – 56 mm	40 mm	4 N-m
C60ES	337120	56 – 60 mm	40 mm	4 N-m
C64ES	337130	60 – 64 mm	40 mm	4 N-m
C70ES	337140	64 – 70 mm	40 mm	4 N-m
C76ES	337150	70 – 76 mm	40 mm	4 N-m
C82ES	337160	76 – 82 mm	40 mm	4 N-m
C88ES	337170	82 – 88 mm	40 mm	4 N-m
C94ES	337180	88 – 94 mm	40 mm	4 N-m
C100ES	337190	94 – 100 mm	40 mm	4 N-m



WARNING

ERICO products shall be installed and used only as indicated in ERICO's product instruction sheets and training materials. Instruction sheets are available at www.erico.com and from your ERICO customer service representative. Improper installation, misuse, misapplication or other failure to completely follow ERICO's instructions and warnings may cause product malfunction, property damage, serious bodily injury and death.

Copyright © 2015 ERICO International Corporation. All rights reserved.

CADDY, CADWELD, CRITEC, ERICO, ERIFLEX, ERITECH, and LENTON are registered trademarks of ERICO International Corporation.

