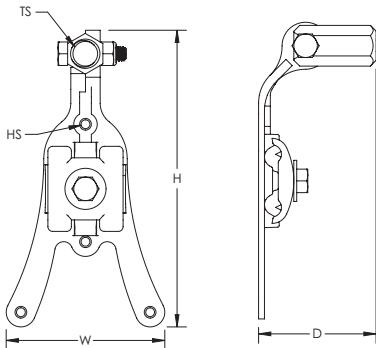


Air Terminal Base, Sloped Roof, Imperial Thread



- For use on ridged roof, sloping or flat surfaces
- Positive single bolt tension for multi-directional cable clamping



Conductor Size, UL: Class 1 - Class 2 (4/0 Max)

Part Number	Thread Size TS	Depth D	Height H	Width W	Hole Size HS	Unit Weight
Material: Aluminum						
LPA34712	1/2 UNC	69.85 mm	158.75 mm	86.36 mm	4.76 mm	0.154 kg
LPA34758	5/8 UNC	69.85 mm	158.75 mm	86.36 mm	4.76 mm	0.154 kg
Material: Copper						
LPC34712	1/2 UNC	69.85 mm	158.75 mm	86.36 mm	4.76 mm	0.408 kg
LPC34738	3/8 UNC	69.85 mm	158.75 mm	86.36 mm	4.76 mm	0.408 kg
LPC34758	5/8 UNC	69.85 mm	158.75 mm	86.36 mm	4.76 mm	0.408 kg
Material: Copper – Finish: Tinned						
LPC347L12	1/2 UNC	69.85 mm	158.75 mm	86.36 mm	4.76 mm	0.408 kg
LPC347L38	3/8 UNC	69.85 mm	158.75 mm	86.36 mm	4.76 mm	0.408 kg

UL, UR, cUL, cUR, cULus and cURus are registered certification marks of UL LLC.

WARNING

ERICO products shall be installed and used only as indicated in ERICO's product instruction sheets and training materials. Instruction sheets are available at www.erico.com and from your ERICO customer service representative. Improper installation, misuse, misapplication or other failure to completely follow ERICO's instructions and warnings may cause product malfunction, property damage, serious bodily injury and death.

Copyright © 2015 ERICO International Corporation. All rights reserved.

CADDY, CADWELD, CRITEC, ERICO, ERIFLEX, ERITECH, and LENTON are registered trademarks of ERICO International Corporation.

